

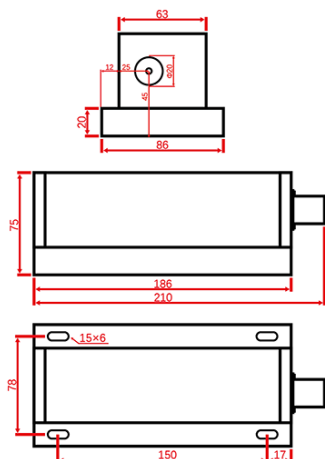
## 556nm Green DPSS Single Frequency Laser



### †Specifications

Product Code	SSL - 556 - XXXX - S
Wavelength [ nm ]	556
Output Power [ mW ]	1 - 200
Transverse Mode	TEM <sub>00</sub> / CW
Longitude Mode	Single
Operating Temperature [ °C ]	+10 - +35
Storage Temperatures [ °C ]	-10 - +45
Warm-up Time [ minutes ]	< 15
Power Stability [ rms, over 4 hours ]	5%, 3%, 1%
M <sup>2</sup> Factor	< 1.2
Beam Diameter At The Aperture [ mm ]	~ 1.5
Beam Divergence, Full Angle [ mrad ]	< 1.5
Coherent Length [ meters ]	> 50
Spectral Linewidth [ nm ]	< 0.00001
Polarization Ratio	> 100 : 1
Noise of Amplitude [ rms ]	< 0.5%
Point Stability After Warm-up [ mrad ]	< 0.05
Laser Head Dimensions [ mm ]	210 [L] × 86 [W] × 75 [H]
Power Supply Dimensions [ mm ]	235 [L] × 145 [W] × 100 [H]
Working Voltage [ VAC ]	85~245, 50/60Hz
Laser Gross Weight [ kg ]	4.0
Cooling Way	Cooled by TEC and air
Expected Lifetime [ hours ]	> 10000
Warranty Time [ year ]	1

**Laser Head Dimension:**



**Power Supply Dimension:**

