

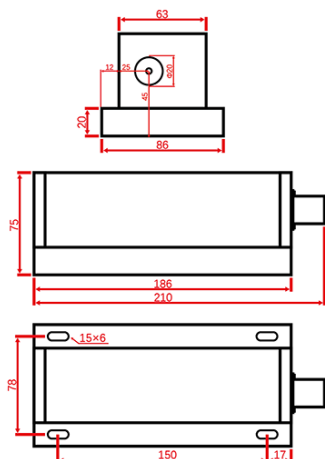
1319nm Infrared DPSS Single Frequency Laser



†Specifications

Product Code	SSL - 1319 - XXXX - S
Wavelength [nm]	1319
Output Power [mW]	1 - 100
Transverse Mode	TEM ₀₀ / CW
Longitude Mode	Single
Operating Temperature [°C]	+10 - +35
Storage Temperatures [°C]	-10 - +45
Warm-up Time [minutes]	< 15
Power Stability [rms, over 4 hours]	5%, 3%, 1%
M ² Factor	< 1.5
Beam Diameter At The Aperture [mm]	~ 1.5
Beam Divergence, Full Angle [mrad]	< 1.5
Coherent Length [meters]	> 50
Spectral Linewidth [nm]	< 0.00001
Polarization Ratio	> 100 : 1
Noise of Amplitude [rms]	< 0.5%
Point Stability After Warm-up [mrad]	< 0.05
Laser Head Dimensions [mm]	210 [L] × 86 [W] × 75 [H]
Power Supply Dimensions [mm]	235 [L] × 145 [W] × 100 [H]
Working Voltage [VAC]	85~245, 50/60Hz
Laser Gross Weight [kg]	4.0
Cooling Way	Cooled by TEC and air
Expected Lifetime [hours]	> 10000
Warranty Time [year]	1

Laser Head Dimension:



Power Supply Dimension:

