

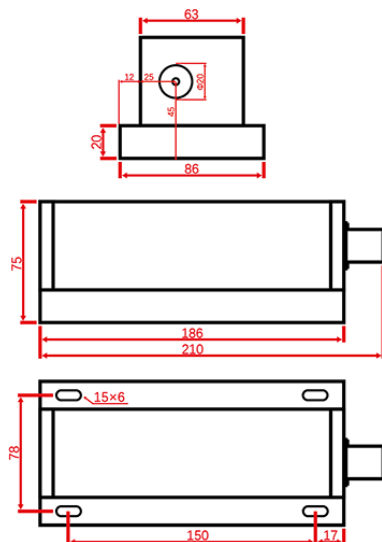
## 980nm Infrared Diode Low Noise Laser



### †Specifications

|  |                             |
|--|-----------------------------|
| Product Code                               | SSL - 980 - XXXX - LN - LED |
| Wavelength [ nm ]                          | 980 ±5                      |
| Output Power [ mW ] [ 0 - Max Adjustable ] | 5500 - 8000                 |
| Transverse Mode                            | TE <sub>00</sub> / CW       |
| Operating Temperature [ °C ]               | +10 - +35                   |
| Storage Temperatures [ °C ]                | -10 - +45                   |
| Warm-up Time [ minutes ]                   | < 5                         |
| Power Stability [ rms, over 4 hours ]      | 5%, 3%, 1%                  |
| M <sup>2</sup> Factor                      | < 15                        |
| Beam Diameter At The Aperture [ mm ]       | ~ 5.0 × 6.0                 |
| Beam Divergence, Full Angle [ mrad ]       | < 2.5                       |
| Spectral Linewidth [ nm ]                  | < 1.0                       |
| Polarization Ratio                         | > 50 : 1                    |
| Point Stability After Warm-up [ mrad ]     | < 0.05                      |
| Noise of Amplitude [ rms ]                 | < 1%                        |
| Laser Head Dimensions [ mm ]               | 210 [L] × 86 [W] × 75 [H]   |
| Power Supply Dimensions [ mm ]             | 260 [L] × 145 [W] × 105 [H] |
| Working Voltage [ VAC ]                    | 85~245, 50/60Hz             |
| Laser Gross Weight [ kg ]                  | 4.5                         |
| Cooling Way                                | Cooled by TEC and air       |
| Expected Lifetime [ hours ]                | > 10000                     |
| Warranty Time [ year ]                     | 1                           |

#### Laser Head Dimension:



#### Power Supply Dimension:

