

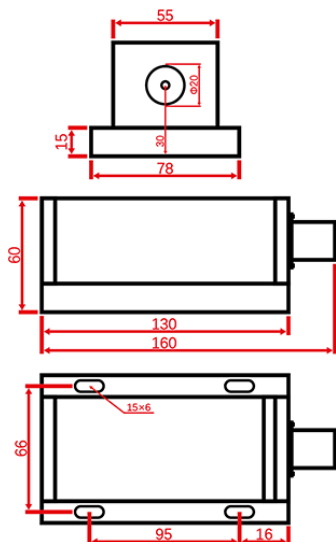
**980nm Infrared Diode Low Noise Laser**



†**Specifications**

|  |                             |
|--|-----------------------------|
| Product Code                           | SSL - 980 - XXXX - LN       |
| Wavelength [ nm ]                      | 980 ±5                      |
| Output Power [ mW ]                    | 3000 - 5000                 |
| Transverse Mode                        | TE <sub>00</sub> / CW       |
| Operating Temperature [ °C ]           | +10 - +35                   |
| Storage Temperatures [ °C ]            | -10 - +45                   |
| Warm-up Time [ minutes ]               | < 5                         |
| Power Stability [ rms, over 4 hours ]  | 5%, 3%, 1%                  |
| M <sup>2</sup> Factor                  | < 15                        |
| Beam Diameter At The Aperture [ mm ]   | ~ 4.0 × 6.0                 |
| Beam Divergence, Full Angle [ mrad ]   | < 2.5                       |
| Spectral Linewidth [ nm ]              | < 1.0                       |
| Polarization Ratio                     | > 50 : 1                    |
| Point Stability After Warm-up [ mrad ] | < 0.05                      |
| Noise of Amplitude [ rms ]             | < 1%                        |
| Laser Head Dimensions [ mm ]           | 160 [L] × 78 [W] × 60 [H]   |
| Power Supply Dimensions [ mm ]         | 235 [L] × 145 [W] × 100 [H] |
| Working Voltage [ VAC ]                | 85~245, 50/60Hz             |
| Laser Gross Weight [ kg ]              | 3.0                         |
| Cooling Way                            | Cooled by TEC and air       |
| Expected Lifetime [ hours ]            | > 10000                     |
| Warranty Time [ year ]                 | 1                           |

**Laser Head Dimension:**



**Power Supply Dimension:**

