

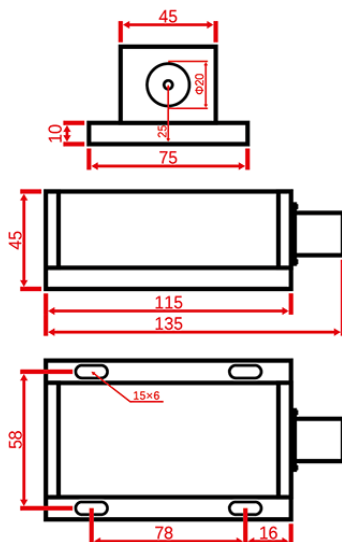
**793nm Infrared Diode Low Noise Laser**



†**Specifications**

|   |                            |
|---|----------------------------|
| <b>Product Code</b>                           | SSL - 793 - XXXX - LN      |
| <b>Wavelength [ nm ]</b>                      | 793 ±3                     |
| <b>Output Power [ mW ]</b>                    | 1 - 2000                   |
| <b>Transverse Mode</b>                        | TE <sub>00</sub> / CW      |
| <b>Operating Temperature [ °C ]</b>           | +10 - +35                  |
| <b>Storage Temperatures [ °C ]</b>            | -10 - +45                  |
| <b>Warm-up Time [ minutes ]</b>               | < 5                        |
| <b>Power Stability [ rms, over 4 hours ]</b>  | 5%, 3%, 1%                 |
| <b>M<sup>2</sup> Factor</b>                   | < 15                       |
| <b>Beam Diameter At The Aperture [ mm ]</b>   | ~ 4.0 × 6.0                |
| <b>Beam Divergence, Full Angle [ mrad ]</b>   | < 2.5                      |
| <b>Spectral Linewidth [ nm ]</b>              | < 1.0                      |
| <b>Polarization Ratio</b>                     | > 50 : 1                   |
| <b>Point Stability After Warm-up [ mrad ]</b> | < 0.05                     |
| <b>Noise of Amplitude [ rms ]</b>             | < 1%                       |
| <b>Laser Head Dimensions [ mm ]</b>           | 135 [L] × 75 [W] × 45 [H]  |
| <b>Power Supply Dimensions [ mm ]</b>         | 130 [L] × 120 [W] × 55 [H] |
| <b>Working Voltage [ VAC ]</b>                | 85~245, 50/60Hz            |
| <b>Laser Gross Weight [ kg ]</b>              | 1.5                        |
| <b>Cooling Way</b>                            | Cooled by TEC and air      |
| <b>Expected Lifetime [ hours ]</b>            | > 10000                    |
| <b>Warranty Time [ year ]</b>                 | 1                          |

**Laser Head Dimension:**



**Power Supply Dimension:**

